



## IF YOU WANT MINIATURE WORK ON A GRAND SCALE:

With this newly developed, extremely compact tooling system, we are offering new possibilities for the production of your smallest components.

DECOFLEX® is a new type of tooling interface designed for compact space and is especially useful on Turning & Milling Centers with limited working areas.

# DECOFLEX®





## DECOFLEX® HAS RAISED THE BAR FOR MANUFACTURING IN THE MINIATURE RANGE, DISCOVER THE DIFFERENCE.

**The perfect transformation  
of a brilliant idea.**

**Until now no tooling  
system could combine  
precision and space in  
such a small area.**

**DECOFLEX® tremendously  
increases the efficiency of  
your machine tool:  
SMARTER TOOLING  
SOLUTIONS MADE BY  
EPPINGER.**

### **Quick change**

Utilization made simple and accurate. Adapter/tool change-over performed in seconds.

### **Precise**

Proven conical/flat face interface guarantees best possible concentricity and repeatability.

### **Compact**

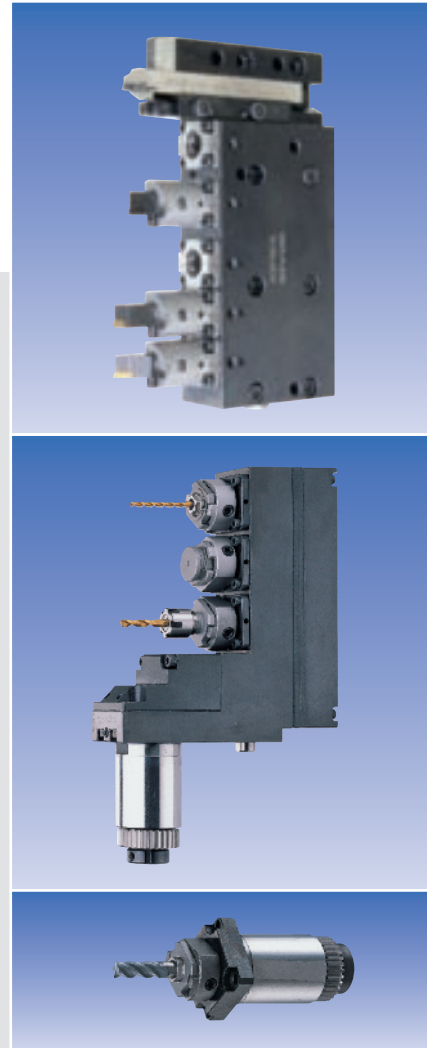
Minimal envelope dimensions, not available until now, open up new manufacturing approaches.

### **Flexible**

Specific adapters designed to combine with fixed and/or rotary tool holders optimize tool performance to the highest degree.

### **Economical**

Ability to pre-set tools off the machine delivers reduced set-up time and increased machine up-time.



1.



2.



3.



Tool change in seconds, as simple as 1, 2, 3.

**ESA Eppinger GmbH**  
Breitwiesenweg 2-8  
73770 Denkendorf, Germany  
Phone: +49 711 934 934-0  
Fax: +49 711 934 934-1  
E-Mail: info@eppinger.de  
Internet: www.eppinger.de

**EPPINGER**  
SMARTER TOOLING SOLUTIONS