

MULTI-BLADE COLLET CHUCKS LZK/LZK-S

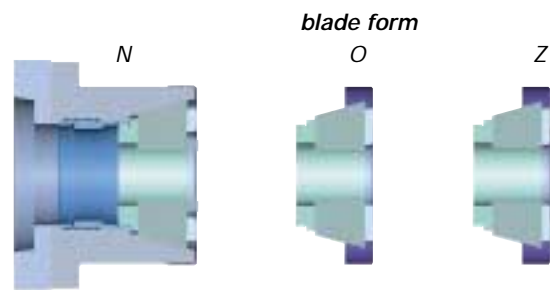
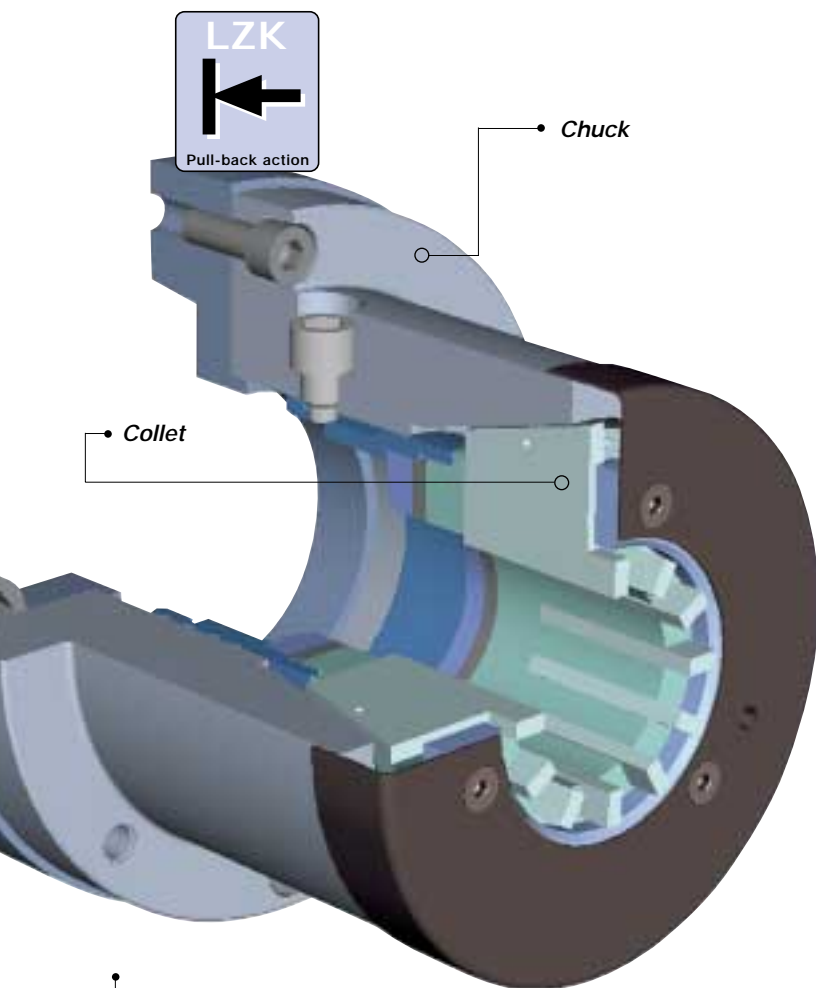


SwissChuck multi-blade collets c products designed for meeting ti

Uncompromising clamping geometry

SwissChuck multi-blade clamping systems feature an optimum clamping geometry throughout the entire clamping range, maintaining a consistent radial precision of better than 0.01mm.

In operation, these high precision chucks ensure maximum production quality.



• **System LZK**
pull-back action, pull operation,
low dimension, simple,
robust and economic



Highlights LZK

- Workpiece diameters up to 200 mm can be accommodated
- Clamping of thin walled workpieces without deformation
- Bar material capability due to large thru-hole
- High rotational speeds possible with low centrifugal losses
- Resistant to ingress of chips, etc.

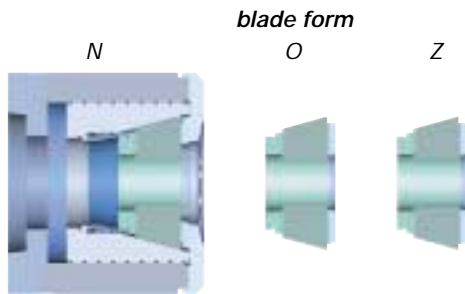
For LKZ see page 4

chucks – ight production tolerances.

Unique SwissChuck advantages:

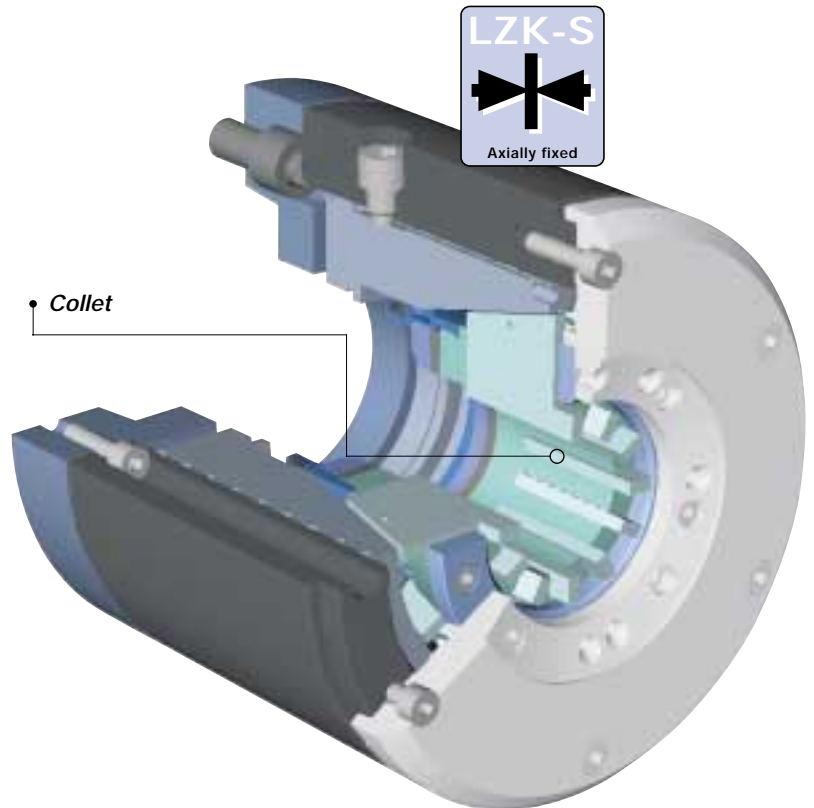
The ability to accommodate larger clamping ranges with one clamping system. For example, the LZK-U range, while retaining the 0.01 mm precision, can handle a considerably extended clamping range of 9 mm. This brings

considerable advantages over all conventional jaw clamping systems. In addition to a more streamlined inventory, machines can be re-set more quickly, cost effectively adding flexibility to production.



System LZK-S

*Axially fixed, push operation.
For axially fixed position and for
the equipping of counter
spindles (refer to page 11)*



Highlights LZK-S Axial Fix

- Clamping of workpieces up to 164 mm diameter
- Clamping of thin walled workpieces without deformation
- Bar material capability due to large thru-hole

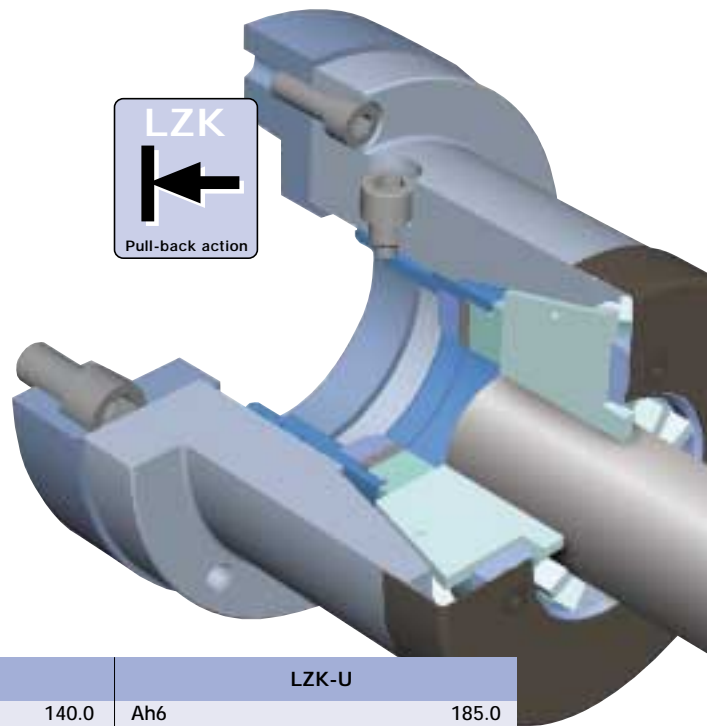
- High rotational speed possible with low centrifugal losses
- Resistant to ingress of chips, etc.

For LZK-S see page 8

Multi-blade collet chuck LZK for pull operation, with pull-back action.

Ease of operation and speed when setting

Chucks should be selected in accordance with the required size (dimension A) and the necessary collet clamping range. The collets may be changed by screwing in and out. The set position is then highly resistant to unintentional alteration.



Multi-blade collet chucks

LZK-A		LZK-B		LZK-U	
Ah6	90.0	Ah6	140.0	Ah6	185.0
B	62.1	B	102.5	B	143.0
C max	80.3	C max	116.0	C max	136.0
c min	71.3	c min	102.5	c min	117.0
D2	25.0	D2	42.5	D2	66.0
EJ6	38.0	EJ6	65.0	EJ6	90.0
F	5.0	F	6.0	F	6.0
G	75.0	G	120.0	G	160.0
H	3 x M6	H	3 x M8	H	3 x M10
J	12.0	J	20.0	J	25.0
K-lift	9.0	K-lift	13.5	K-lift	19.0
L	M32 x 1	L	M50 x 1.5	L	M80 x 1.5
M	38.0	M	64.8	M	89.8
N	33.0	N	49.0	N	71.0
O	13.0	O	20.0	O	24.0
P	16.0	P	26.0	P	45.0
Q	5.7	Q	10.0	Q	10.0
R	4.3	R	7.0	R	9.0
S	M30 x 1.5	S	M50 x 1.5	S	M72 x 1.5
T	16.0	T	20.0	T	15.0
Weight (kg)	1.5	Weight (kg)	4.9	Weight (kg)	10.3
Actuation (daN)	1,000	Actuation (daN)	2,500	Actuation (daN)	3,500
N max (r.p.m.)	6,300	N max (r.p.m.)	6,300	N max (r.p.m.)	6,000
TP2 (kpm2)	0.012	TP2 (kpm2)	0.027	TP2 (kpm2)	0.159
Clamping force (daN)	2,000	Clamping force (daN)	5,000	Clamping force (daN)	7,000

Multi-blade collets/clamping range

Smooth clamping surfaces. Serrated version upon request (Z).

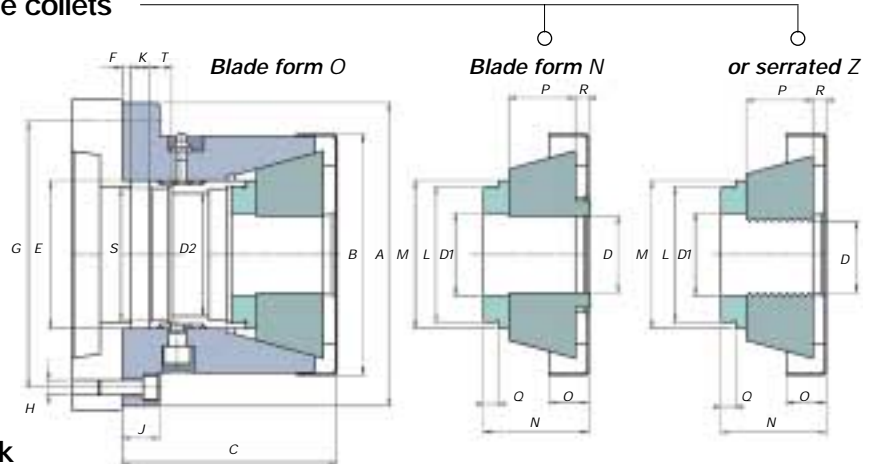
For LZK-A					For LZK-B					For LZK-U				
Size	mm	ØD1	1*	2*	Size	mm	ØD1	1*	2*	Size	mm	ØD1	1*	2*
AN I	1.5-6.0	10.0	N	6	BN 0	2.5-9.0	22.0	N	8	UN 0	4.0-13.0	20.0	N	6
AN II	6.0-10.5	16.0	N	8	BN I	6.0-12.5	22.0	N	8	UN I	9.0-18.0	20.0	N	6
AN III	10.5-15.0	16.0	N	8	BN II	12.5-19.0	22.0	N	8	UN II	18.0-27.0	28.0	N	6
A IV	15.0-19.5	25.0	O	12	BN III	19.0-25.5	28.0	N	8	UN III	27.0-36.0	37.0	N	6
A V	19.5-24.0	25.0	O	12	BN IV	25.5-32.0	34.0	N	8	UN IV	36.0-45.0	46.0	N	12
					BN V	32.0-38.5	40.0	N	8	UN V	45.0-54.0	55.0	N	12
					B VI	35.5-42.0	42.5	O	8	UN VI	54.0-63.0	64.0	N	12
										UN VII	56.0-65.0			O

Legend: 1* Blade form, 2* Number of blades; How to order: SwissChuck chuck LZK-A/Multi-blade collet AN III

external clamping



• Exchangeable multi-blade collets



Multi-blade collet chuck

LZK-C		LZK-D		LZK-E	
Ah6	205	Ah6	250	Ah6	280
B	163	B	203	B	286
C max	151	C max	197	C max	257
c min	132	c min	176	c min	225
D2	83	D2	104	D2	164
EJ6	100	EJ6	130	EJ6	205
F	6	F	6	F	6
G	180	G	225	G	255
H	3xM10	H	6xM12	H	6xM12
J	25	J	30	J	-
K-lift	19	K-lift	21	K-lift	32
L	M92x1,5	L	M115x1,5	L	Ø 174g6
M	100	M	130	M	202
N	71	N	81	N	89
O	27	O	35	O	40
P	45	P	48	P	55
Q	10	Q	15	Q	6
R	10	R	11	R	18
S	M92x1,5	S	M115x1,5	S	Ø 21
T	15	T	20	T	22
Weight (Kg)	14	Weight (Kg)	29	Weight (Kg)	57
Actuation (daN)	4000	Actuation (daN)	5000	Actuation (daN)	6000
N max (r.p.m.)	4500	N max (r.p.m.)	4000	N max (r.p.m.)	3500
TP2 (kpm ²)	0.296	TP2 (kpm ²)	0.85	TP2 (kpm ²)	4.08
Clamping force (daN)	8,000	Clamping force (daN)	10,000	Clamping force (daN)	12,000

Multi-blade collet/clamping range

Smooth clamping surfaces. Serrated (Z) or nosed (N) version upon request.

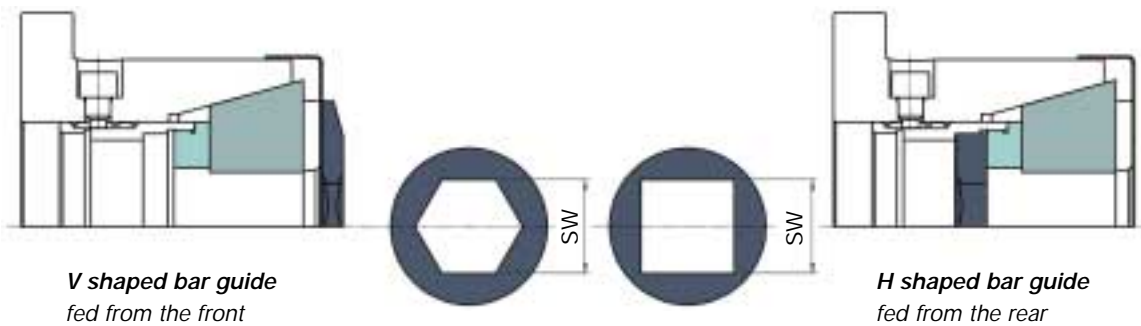
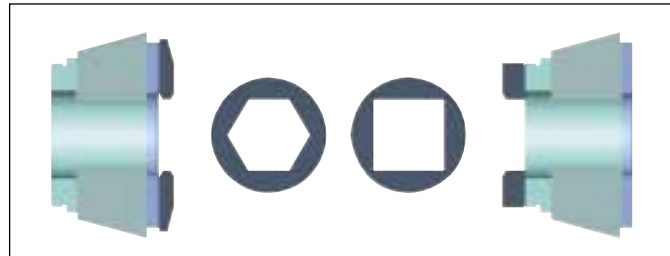
For LZK-C					For LZK-D					For LZK-E				
Size	mm	ØD1	1*	2*	Size	mm	ØD1	1*	2*	Size	mm	ØD1	1*	2*
C 0	4.0-13.0	20.0	O	6	D 0	28.0-37.0	57.0	O	12	E 0-So	27.0-42.0			(special)
C I	10.0-19.0	20.0	O	6	D I	37.0-46.0	57.0	O	12	E I	42.0-57.0	59.0	O	12
C II	19.0-28.0	29.0	O	6	D II	46.0-55.0	57.0	O	12	E II	57.0-72.0	74.0	O	12
C III	28.0-37.0	38.0	O	6	D III	55.0-64.0	66.0	O	12	E III	72.0-87.0	89.0	O	12
C IV	37.0-46.0	47.0	O	12	D IV	64.0-73.0	75.0	O	18	E IV	87.0-102.0	104.0	O	12
C V	46.0-55.0	56.0	O	12	D V	73.0-82.0	84.0	O	18	E V	102.0-117.0	119.0	O	12
C VI	55.0-64.0	65.0	O	16	D VI	82.0-92.0	94.0	O	18	E VI	117.0-132.0	134.0	O	12
C VII	64.0-73.0	74.0	O	16	D VII	92.0-102.0	104.0	O	18	E VII	132.0-147.0	149.0	O	12
C VIII	73.0-82.0	83.0	O	16	D VIII-So	95.0-105.0			(special)	E VIII	147.0-162.0	164.0	O	12

Legend: 1* Blade form, 2* Number of blades; **How to order:** SwissChuck chuck LZK-C/Multi-blade collet CIV

Multi-blade collet inserts LZK.

Serrated/hex/square

Multi-blade collets of special design for sectional bars.



*V shaped bar guide
fed from the front*

*H shaped bar guide
fed from the rear*

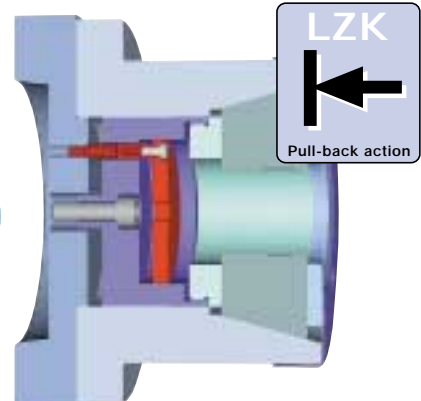
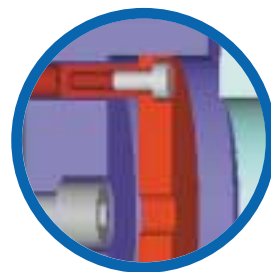
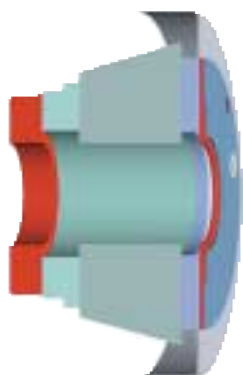
Versions

Type	Design	Size I	Size II	Size III	Size IV	Size V	Size VI	Size VII	Size VIII
B	Z = serrated	6 - 12.5	12.5 - 19	19 - 25.5	25.5 - 32	32 - 38.5	35.5 - 42		
	SW - hexagonal	6 - 12.5	12.5 - 19	19 - 25.5	25.5 - 32				
	SW - square	6 - 12.5	12.5 - 19	19 - 25.5					
U	Z = serrated	9 - 18	18 - 27	27 - 36	36 - 45	45 - 54	54 - 63		
	SW - hexagonal	9 - 18	18 - 27	27 - 36	36 - 45	45 - 54			
	SW - square	9 - 18	18 - 27	27 - 36	36 - 45				
C	Z = serrated	10 - 19	19 - 28	28 - 37	37 - 46	46 - 55	55 - 64	64 - 73	73 - 82
	SW - hexagonal	10 - 19	19 - 28	28 - 37	37 - 46	46 - 55	55 - 64	64 - 68	
	SW - square	10 - 19	19 - 28	28 - 37	37 - 46	46 - 55			
D	Z = serrated	37 - 46	46 - 55	55 - 64	64 - 73	73 - 82	82 - 92	92 - 102	
	SW - hexagonal	37 - 46	46 - 55	55 - 64	64 - 73				
	SW - square	37 - 46	46 - 55	55 - 64					

How to order: SwissChuck chuck: LZK-D, Multi-blade collet hex-UZII, bar guide H

Accessories

Swarf protection
Perfect sealing
efficiently protecting
against the ingress
of chips

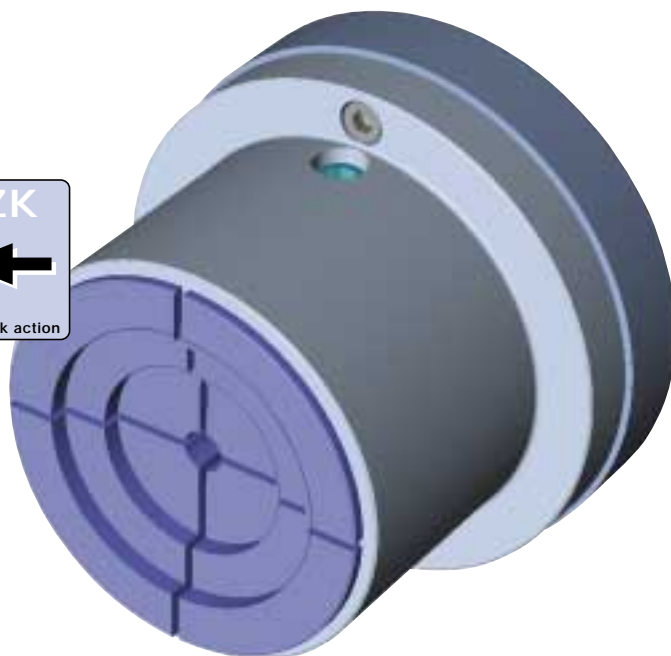


Stop unit
Optional stop unit
with simple length adaptation

Soft collet blank

Particularly suitable for annular shaped workpieces installed into power operated multi-blade LZK collet chucks where short clamping lengths are not possible (outside of cone support range).

For clamping thin walled rings, flat and disc-shaped workpieces as well as parts having a short clamping length and special contours, the multi-blade collet can be replaced by a soft collet blank.



The required clamping section is prepared in the pre-tensioned soft collet blank such that the workpieces are in correct contact from the technical clamping point of view.

The soft collet blank is pull-operated by the hydraulically operated cylinder to produce a slight pull-back action.

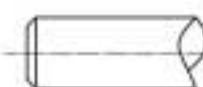
Technical advantages

- Positive clamping of thin walled workpieces
- High rotational speeds
- Resistance against soiling

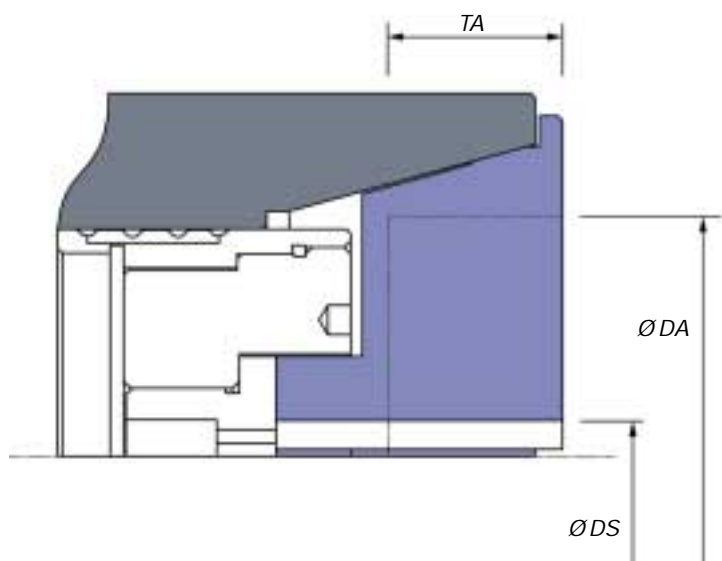
Soft collet blanks/clamping range

Type	Ø DA	TA	Ø DS
BG	70	20	16
UG	90	30	16
CG	110	32	18
DG	130	35	20

How to order: SwissChuck chuck LZK, soft collet blank UG



Pre-tensioning pin
to work-in the clamping surfaces

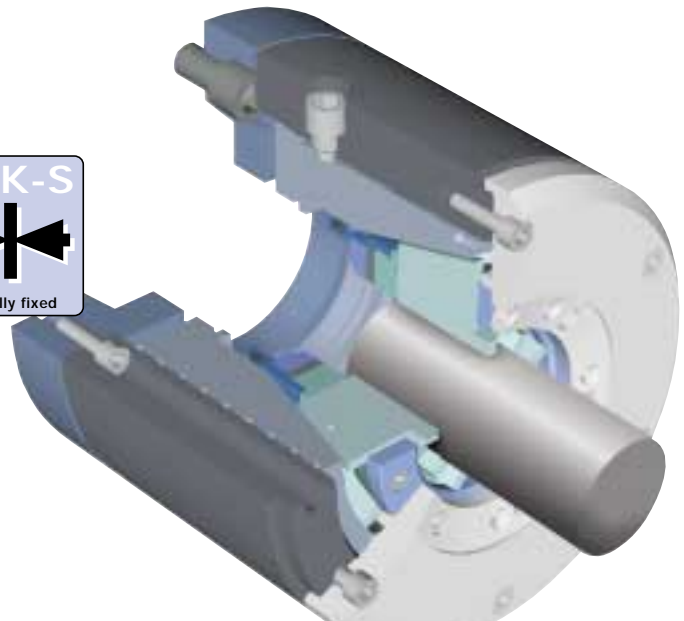


Multi-blade LZK-S chucks for ex and push-operation without pull

For fixed axial positions

For equipping counter-spindles, refer to page 11.

The chuck should be selected in accordance with the required size (dimension A) and the necessary collet clamping range. Loosening the cover plate allows the collets to be quickly and easily replaced.



Multi-blade collet chucks

LZK-AS			LZK-BS			LZK-US		
A		92.0	A		140.0	A		190.0
B		25.0	B		42.5	B		66.0
C		80.0	C		119.0	C		145.0
C1		47.0	C1		70.5	C1		85.0
E J6		60.0	E J6		100.0	E J6		140.0
F		5.0	F		6.0	F		6.0
G		76.0	G		118.0	G		164.0
H	6 x M6		H	6 x M8		H	6 x M8	
J		6.0	J		11.0	J		15.0
K-lift		8.8	K-lift		13.5	K-lift		19.0
L	M 32 x 1		L	M 50 x 1.5		L	M 80 x 1.5	
M		38.0	M		64.8	M		89.8
N		32.2	N		48.0	N		70.0
O		5.7	O		10.0	O		10.0
P		16.0	P		26.0	P		45.0
R		3.5	R		6.0	R		8.0
R1		7.5	R1		11.5	R1		14.0
R2		5.0	R2		5.8	R2		6.0
S	M 32 x 1.5		S	M 50 x 1.5		S	M 72 x 1.5	
S1	M 8		S1	M 12		S1	M 12	
T		8.0	T		12.0	T		15.0
Actuation	(daN) max.	2,000	Actuation	(daN) max.	3,500	Actuation	(daN) max.	4,000
N max	(r.p.m.)	6,300	N max	(r.p.m.)	6,300	N max	(r.p.m.)	6,000
TP2	(kpm ²)	0.016	TP2	(kpm ²)	0.129	TP2	(kpm ²)	0.458
Weight	(Kg)	3.5	Weight	(Kg)	9.2	Weight	(Kg)	23.0
Clamping force	(daN)	4,000	Clamping force	(daN)	7,000	Clamping force	(daN)	8,000

Multi-blade collets/clamping range

Smooth clamping surfaced, serrated version (Z) upon request.

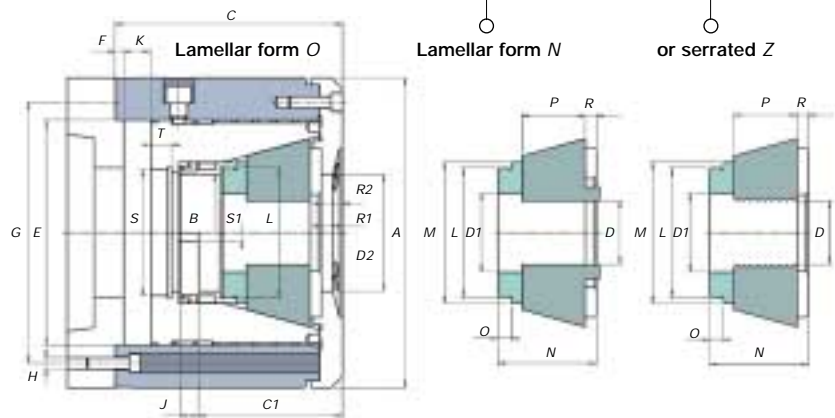
For LZK-AS						For LZK-BS						For LZK-US					
Size	mm	ØD1	ØD2	1*	2*	Size	mm	ØD1	ØD2	1*	2*	Size	mm	ØD1	ØD2	1*	2*
ASN I	1.5-6.0	10.0	25.0	N	6	BSN 0	2.5-9.0	22.0	42.5	N	8	USN 0	4.0-13.0	20.0	66.0	N	6
ASN II	6.0-10.5	16.0	16.0	N	8	BSN I	6.0-12.5	22.0	42.5	N	8	USN I	9.0-18.0	20.0	66.0	N	6
ASN III	10.5-15.0	16.0	16.0	N	8	BSN II	12.5-19.0	22.0	42.5	N	8	USN II	18.0-27.0	28.0	66.0	N	6
ASN IV	15.0-19.5	25.0	25.0	O	12	BSN III	19.0-25.5	28.0	42.5	N	8	USN III	27.0-36.0	37.0	66.0	N	6
ASN V	19.5-24.0	25.0	25.0	O	12	BSN IV	25.5-32.0	34.0	42.5	N	8	USN IV	36.0-45.0	46.0	66.0	N	12
						BSN V	32.0-38.5	40.0	42.5	N	8	USN V	45.0-54.0	55.0	66.0	N	12
						BS VI	35.5-42.0	42.5	42.5	O	8	USN VI	54.0-63.0	64.0	66.0	N	12
												US VII	56.0-65.0			O	

Legend: 1* Lamellar shape, 2* Number of lamellae; **How to order:** SwissChuck chuck LZK-AS/lamellar collet ASN II



ternal clamping
-back action.

• **Exchangeable multi-blade collets**



Multi-blade collet chuck

LZK-CS		LZK-DS		LZK-ES	
A	220.0	A	250.0	A	330.0
B	83.0	B	104.0	B	164.0
C	160.0	C	184.0	C	210.0
C1	101.8	C1	117.5	C1	131.0
E J6	160.0	E J6	190.0	E J6	275.0
F	6.0	F	6.0	F	6.0
G	185.0	G	220.0	G	300.0
H	6 x M8	H	6 x M10	H	6 x M12
J	13.0	J	13.0	J	12.0
K-lift	19.0	K-lift	21.0	K-lift	32.0
L	M 92 x 1.5	L	M 115 x 1.5	L	Ø 174 g6
M	100.0	M	130.0	M	202.0
N	69.8	N	80.0	N	87.0
O	10.0	O	15.0	O	6.0
P	45.0	P	48.0	P	55.0
R	7.8	R	10.0	R	16.0
R1	15.0	R1	16.5	R1	19.0
R2	8.0	R2	8.7	R2	10.0
S	M 92 x 1.5	S	M 115 x 1.5	S	M 120 x 1.5
S1	M 12	S1	M 16	S1	M 16
T	15.0	T	15.0	T	20.0
Actuation (daN) max.	5,000	Actuation (daN) max.	6,000	Actuation (daN) max.	7,000
n max (r.p.m.)	4,500	n max (r.p.m.)	4,000	n max (r.p.m.)	3,500
TP2 (kpm ²)	1.05	TP2 (kpm ²)	1.82	TP2 (kpm ²)	6,305
Weight (Kg)	37.0	Weight (Kg)	49	Weight (Kg)	78
Clamping force (daN)	10,000	Clamping force (daN)	12,000	Clamping force (daN)	14,000

Multi-blade collet/clamping range

Smooth clamping surfaces. Serrated (Z) or nosed (N) version upon request.

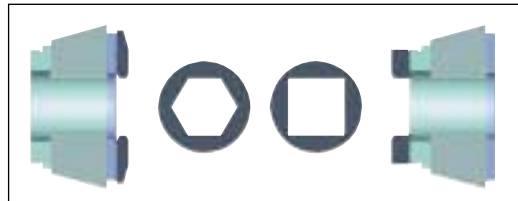
For LZK-CS						For LZK-DS						For LZK-ES					
Size	mm	ØD1	ØD2	1*	2*	Size	mm	ØD1	ØD2	1*	2*	Size	mm	ØD1	ØD2	1*	2*
CS 0	4.0-13.0	20.0	83.0	O	6	DS 0	28.0-37.0	57.0	104.0	O	12	ES 0	27.0-42.0				(special)
CS I	10.0-19.0	20.0	83.0	O	6	DS I	37.0-46.0	57.0	104.0	O	12	ES I	42.0-57.0	59.0	164.0	O	12
CS II	19.0-28.0	29.0	83.0	O	6	DS II	46.0-55.0	57.0	104.0	O	12	ES II	57.0-72.0	74.0	164.0	O	12
CS III	28.0-37.0	38.0	83.0	O	6	DS III	55.0-64.0	66.0	104.0	O	12	ES III	72.0-87.0	89.0	164.0	O	12
CS IV	37.0-46.0	47.0	83.0	O	12	DS IV	64.0-73.0	75.0	104.0	O	18	ES IV	87.0-102.0	104.0	164.0	O	12
CS V	46.0-55.0	56.0	83.0	O	12	DS V	73.0-82.0	84.0	104.0	O	18	ES V	102.0-117.0	119.0	164.0	O	12
CS VI	55.0-64.0	65.0	83.0	O	16	DS VI	82.0-92.0	94.0	104.0	O	18	ES VI	117.0-132.0	134.0	164.0	O	12
CS VII	64.0-73.0	74.0	83.0	O	16	DS VII	92.0-102.0	104.0	104.0	O	18	ES VII	132.0-147.0	149.0	164.0	O	12
CS VIII	73.0-82.0	83.0	83.0	O	16	DS VIII	95.0-105.0		(special)			ES VIII	147.0-162.0	164.0	164.0	O	12

Legend: 1* Blade shape, 2* Number of blades; **How to order:** SwissChuck chuck LZK-CS/Multi-blades collet CS V

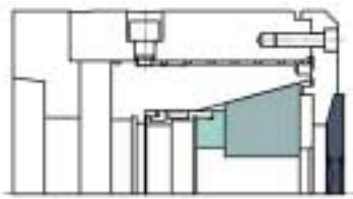
Inserts for multi-blade LZK-S collets.

Serrated/hex/square

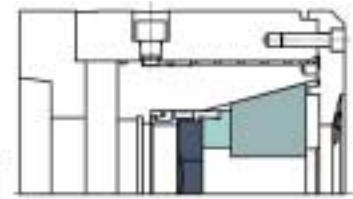
Multi-blade collets of special design for sectional bars.



*V shaped bar guide
fed from the front*



*H shaped bar guide
fed from the rear*



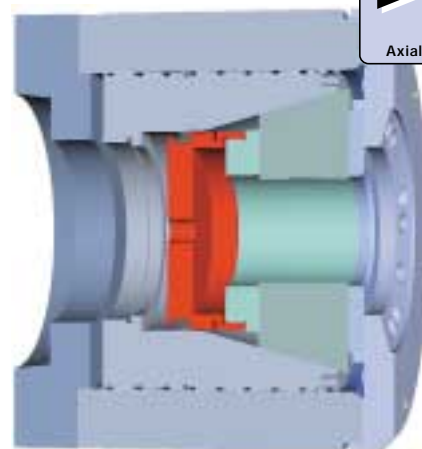
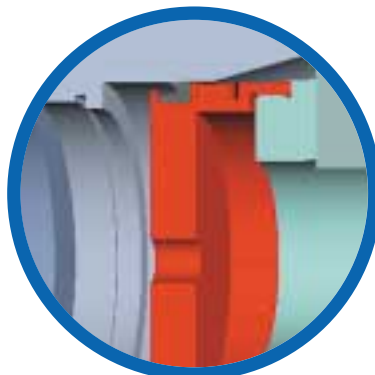
Versions

Type	Design	Size I	Size II	Size III	Size IV	Size V	Size VI	Size VII	Size VIII
BS	Z = serrated	6 - 12.5	12.5 - 19	19 - 25.5	25.5 - 32	32 - 38.5	35.5 - 42		
	SW - hexagonal	6 - 12.5	12.5 - 19	19 - 25.5	25.5 - 32				
	SW - square	6 - 12.5	12.5 - 19	19 - 25.5					
US	Z = serrated	9 - 18	18 - 27	27 - 36	36 - 45	45 - 54	54 - 63		
	SW - hexagonal	9 - 18	18 - 27	27 - 36	36 - 45	45 - 54			
	SW - square	9 - 18	18 - 27	27 - 36	36 - 45				
CS	Z = serrated	10 - 19	19 - 28	28 - 37	37 - 46	46 - 55	55 - 64	64 - 73	73 - 82
	SW - hexagonal	10 - 19	19 - 28	28 - 37	37 - 46	46 - 55	55 - 64	64 - 68	
	SW - square	10 - 19	19 - 28	28 - 37	37 - 46	46 - 55			
DS	Z = serrated	37 - 46	46 - 55	55 - 64	64 - 73	73 - 82	82 - 92	92 - 102	
	SW - hexagonal	37 - 46	46 - 55	55 - 64	64 - 73				
	SW - square	37 - 46	46 - 55	55 - 64					

How to order: SwissChuck chuck LZK-CS, Multi-blade collet square-CS III, bar guide V

Accessories

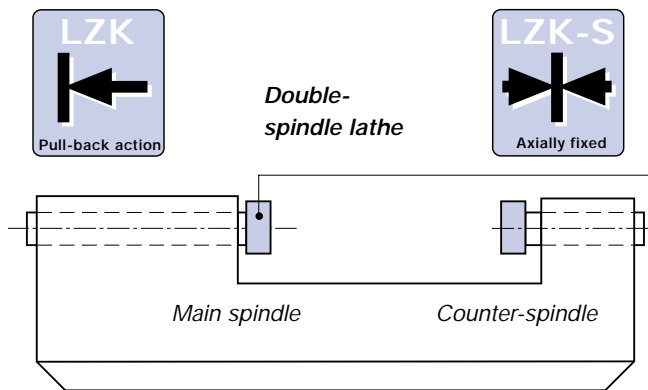
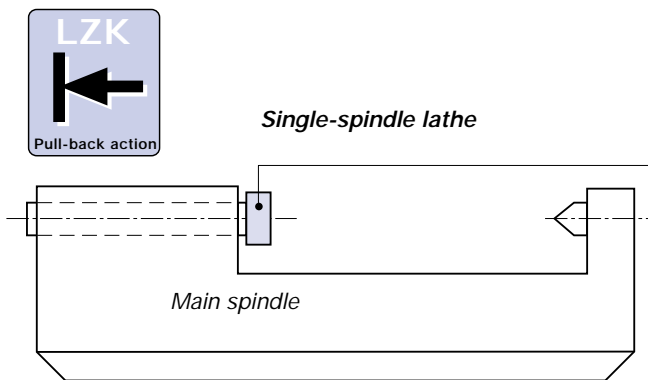
Stop unit
Optional stop unit with simple length adjustment



A few other possibilities offered by the SwissChuck LZK range of clamping products.

Practical clamping system combinations

for single-spindle and multi-spindle lathes with LZK and LZK-S.

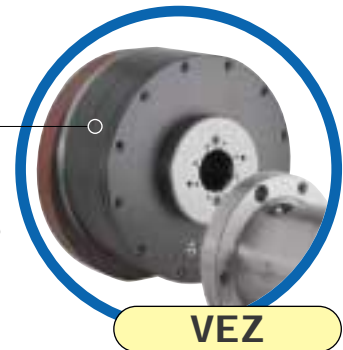


- Automatic or manual loading
- Handling of bar stock material
- Machining of individual parts (pulled to stop)
- Machining of individual parts (with transfer to counter-spindle)

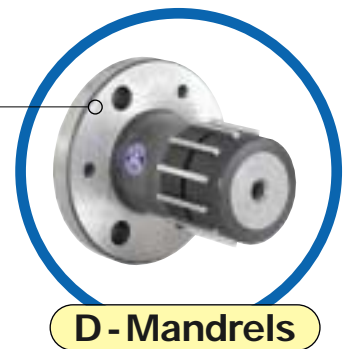
Extension components, such as spindle flanges, pulling tubes, adapters and clamping cylinders are all readily available from SwissChuck, ready for installation.

Numerous other multi-blade clamping systems can be offered for special applications:

Front end multi-blade chuck

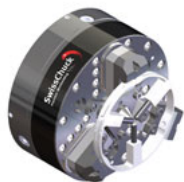


Multi-blade mandrels





KCHP/VKHP
Precision power chuck



SAP zu KCHP
Automated vice



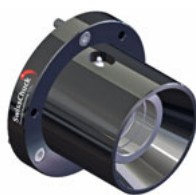
KFHP
Precision power chuck



KHSF
Centrifugal force chuck



VMCHP
Diaphragm chuck



LZK/LSK-S
Collet chuck with clamping lamellas



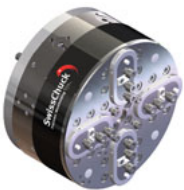
DL
Collet expanding mandrel



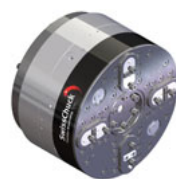
TGC/FTGC
Tool chuck



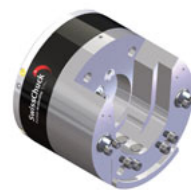
OVEK
Precision power chuck



OVEKA
Compensating chuck



OVEKAV
Moving compensating chuck



FLD/AFLD
Twist finger-type console chuck



SPECIAL PRODUCTIONS
According to the customers



PZLHM
Pneumatic force clamping cylinder

SwissChuck AG
Industriestrasse 3
CH-8307 Effretikon
P +41 52 355 31 31
F +41 52 343 52 40
SwissChuck.com



Service@SwissChuck.com



Sales@SwissChuck.com

